

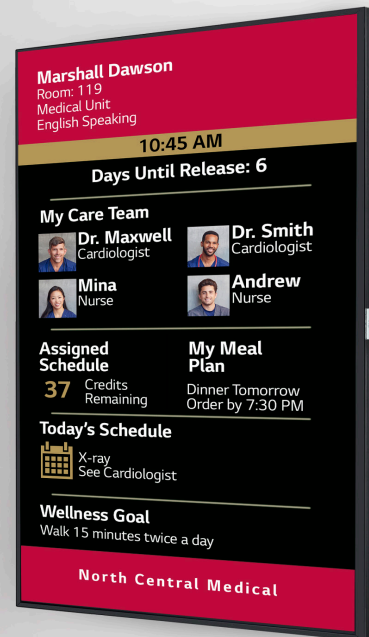


All images contained within this advertisement are simulated for illustrative purposes only.

ML5K-B Series

Patient Engagement Board for Hospitals

The ML5K Series allows patient engagement providers to combine the security of electronic medical records management with the familiar experience of a personalized information board. This smart signage is UL-listed for hospitals and the 32" size can even be powered over ethernet cable (PoE) which can help minimize impact of installation in existing patient rooms.



ML5K-B Series

Screen Sizes	43", 32"
Native Resolution	3,840 x 2,160 (UHD)
Bezel Color	Black
Brightness	43": 500 nits / 32": 400 nits
Bezel	43" 8.4 mm (T/R/L), 14.4 mm (B) 32": 13.0 mm (T/R/L), 18.0 mm (B)
Depth	39.9 mm
UL Listed for Hospitals	UL62368-1



Maximize Patient Engagement with webOS

Patient Engagement Providers deploying the ML5K series will find the LG webOS Signage platform enhances user and system integrator convenience with an intuitive user interface and simple app development tools.



UL Listed for Hospitals

The ML5K series is designed specifically for use in hospital patient room environments meeting applicable UL listing requirements.

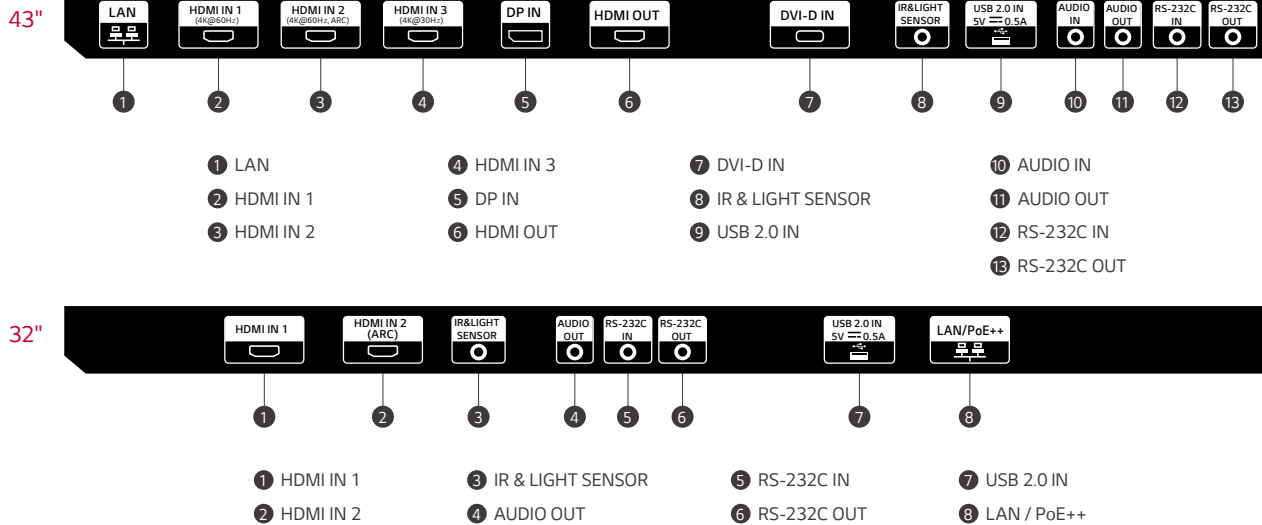
Power over Ethernet (PoE)

Created to minimize impact to existing patient room infrastructure, the 32ML5K-G has PoE capability so that the device power can be drawn through the ethernet LAN cable.

Light Sensor with Auto Brightness

To ensure the patient room is kept at the appropriate brightness for the needs of the patient, the ML5K series uses a light sensor to automatically adjust the brightness of the display to correspond appropriately with its surroundings in the room.

CONNECTIVITY



SPECIFICATIONS

		43ML5K-B	32ML5K-B	
PANEL	Diagonal	43"	32"	
	Panel Technology	IPS	IPS	
	Back Light Type	Edge	Direct	
	Aspect Ratio	16:9	16:9	
	Native Resolution	3840 x 2160 (UHD)	1920x1080 (FHD)	
	Refresh Rate	60Hz	60Hz	
	Brightness (Typ.)	500 nits (Typ.)	AC Mode 400 nits (Typ.) PoE Mode 200 nits (Typ.)	
	Contrast Ratio	1200:1	1200:1	
	Dynamic CR	1,000,000:1	1,000,000:1	
	Color gamut	BT709 95%	BT709 95%	
	Viewing Angle(H x V)	178° x 178°	178° x 178°	
	Color Depth	8bits + FRC, 1.07Billion colors	8-bit, 16.7Million colors	
	Response Time (G to G)	8 ms	9 ms	
	Surface Treatment(Haze)	Haze 25%	Haze 1%	
	Life time	Up to 50,000 Hrs	Up to 50,000 Hrs	
	Operation Hours (Hours/Day)	24/7	24/7	
	Portrait / Landscape	Yes / Yes	Yes / Yes	
	CONNECTIVITY	HDMI IN	Yes (x3) HDMI1 / HDMI2: HDCP 2.2/1.4 HDMI 3: HDCP 2.2	Yes (x2) HDMI1 / HDMI2: HDCP 2.2/1.4
		DP IN	Yes (x1), HDCP 2.2 / 1.4	No
DVI-D IN		Yes (x1), HDCP 1.4	No	
Audio IN		Yes (x1)	No	
RS232C IN		Yes (x1), 4-pin 3.5 mm Jack	Yes (x1), 4-pin 3.5 mm Jack	
RJ45(LAN)		Yes (x1)	Yes (x1), Includes PoE++	
IR IN		Yes (x1)	Yes (x1)	
USB IN		USB 2.0 Type A(1)	USB 2.0 Type A(1)	
HDMI Out		Yes (x1)	No	
Audio Out		Yes (x1)	Yes (x1)	
MECHANICAL	RS232C Out	Yes (x1), 4-pin 3.5 mm Jack	Yes (x1), 4-pin 3.5 mm Jack	
	Bezel Color	Black	Black	
	Bezel Width	T/R/L: 8.4 mm, B: 14.4 mm	T/R/L: 13.0 mm, B: 18.0 mm	
	Weight (Head)	24.7 lbs. / 11.2 kg	12.6 lbs. / 5.7 kg	
	Weight (Head+Stand)	26.0 lbs. / 11.8 kg	N/A	
	Packed Weight	30.2 lbs. / 13.7 kg	16.3 lbs. / 7.4 kg	
	Monitor Dimensions (W x H x D)	37.9 x 22.4 x 1.6 in. 962.5 x 568.0 x 39.9 mm (with LG Logo)	28.7 x 16.9 x 2.2 in. 729.4 x 428.9 x 55.5 mm	
	Monitor Dimension with Stand (W x H x D)	37.9 x 24.1 x 11.4 in. 962.5 x 613.1 x 290.0 mm	N/A	
	Carton Dimensions (W x H x D)	41.7 x 26.0 x 6.0 in. 1060.0 x 660.0 x 152.0 mm	31.9 x 20.1 x 5.2 in. 810.0 x 510.0 x 132.0 mm	
	Handle	No	No	
HARDWARE FEATURES	Tilt (Face Down)	Yes (Max 15 degrees, 30°C temperature, humidity 50%)	No	
	VESATM Standard Mount Interface	200 x 200	200 x 200	
	Internal Memory (eMMC)	16 GB	16 GB	
	Wi-Fi (Built-in)	Yes	Yes	
	Temperature Sensor	Yes	Yes	
	Auto Brightness sensor	Yes	Yes	
	Local Key Operation	Yes	Yes	
	Speaker (Built-in)	Yes (10W x 2)	Yes (3W x 2)	

SPECIFICATIONS

		43ML5K-B	32ML5K-B
SOFTWARE FEATURES	OS Version	webOS 6.0	webOS 6.0
	Local Contents Scheduling	Yes	Yes
	Group Manager	Yes	Yes
	USB Plug & Play	Yes	Yes
	Fail over	Yes	Yes
	Booting Logo Image	Yes	Yes
	No Signal Image	Yes	Yes
	RS232C Sync	Yes	Yes
	Local Network Sync	Yes	Yes
	PIP	Yes	No
	PBP	Yes (x4)	No
	Screen Share	Yes	Yes
	Video Tag	Yes (x4)	Yes (x4)
	Play via URL	Yes	Yes
	Screen Rotation	Yes	Yes
	External Input Rotation	Yes	Yes
	Gapless Playback	Yes	Yes
	Tile Mode Setting	Yes (15 x 15 Max)	Yes (15 x 15 Max)
	Data Cloning	Yes	Yes
	SNMP	Yes	Yes
	ISM Method	Yes	Yes
	Auto Set ID	Yes	Yes
	Status Mailing	Yes	Yes
	Control Manager	Yes	Yes
	Crestron Inside	Yes	Yes
	Smart Energy Saving	Yes	Yes
	PM Modes (e.g., Network Ready)	Yes	Yes
	Wake on LAN	Yes	Yes
Beacon	Yes	Yes	
HDMI-CEC	Yes	Yes	
SI Server Setting	Yes	Yes	
webRTC	Yes	Yes	
Pro:Idiom	Yes	Yes	
OPERATION CONDITIONS	Operation Temperature	32 °F to 104 °F / 0 °C to 40 °C	32 °F to 104 °F / 0 °C to 40 °C
	Operation Humidity	10 % to 80 %	10 % to 80 %
ELECTRICAL	Power Supply	120 Vac, 50/60 Hz	120 Vac, 50/60 Hz or PoE++: 41.1-57 V
	Power Type	Built-In Power	Built-In Power / PoE++
	Power Consumption (Typ.)	80 W	55 W
	Power Consumption (Max.)	120 W	75 W
	Power Consumption (British Thermal Unit)	273 BTU/Hr (Typ.) / 410 BTU/Hr (Max.)	188 BTU/Hr (Typ.) / 256BTU/Hr (Max.)
	Power Consumption (Smart Energy Saving)	56 W	38.5 W
	Power Consumption (DPM)	0.5 W	1 W
	Power Consumption (Power Off)	0.5W	1 W
	PoE Type	N/A	PoE++ : Type3 802.3bt
	PoE Power Class	N/A	Class 6
REGULATORY & CERTIFICATIONS	Safety	NRTL	NRTL
	EMC	FCC Class "A"	FCC Class "A"
	Energy Star	Yes	Yes
OPS COMPATIBILITY	UL Listed for Hospitals	UL62368-1	UL62368-1
	OPS type compatible	Yes	No
LG SOFTWARE COMPATIBILITY	OPS Power built in	No	No
	SuperSign CMS	Yes	Yes
	SuperSign Control+	Yes / Yes	Yes / Yes
	SuperSign WB	Yes	Yes
	Promota	Yes	Yes
LANGUAGES	Mobile CMS	Yes	Yes
	Connected Care	Yes	Yes
WARRANTY & OTHER	Onscreen Display	English, French, German, Spanish, Italian, Korean , Chinese(Simplified), Chinese(Original), Portugues(Brazil), Swedish, Finnish, Norwegian, Danish, Polski, Russian, Japanese, Portugues(Europe), Dutch, Czech, Greek, Türkçe, Arabic	English, French, German, Spanish, Italian, Korean , Chinese(Simplified), Chinese(Original), Portugues(Brazil), Swedish, Finnish, Norwegian, Danish, Polski, Russian, Japanese, Portugues(Europe), Dutch, Czech, Greek, Türkçe, Arabic
	Warranty	2 Year Limited	2 Year Limited
WARRANTY & OTHER	UPC	195174044308	195174044278
	Basic Accessories	Remote Control including battery (x2), Power Cord, QSG, Regulation Book, Phone to RS-232C Adapter	Remote Control including battery (x2), Power Cord, QSG, Regulation Book, Phone to RS-232C Adapter
	Optional Accessories	Wall bracket(LSW240B), OPS Kit(KT-OPSF)	N/A